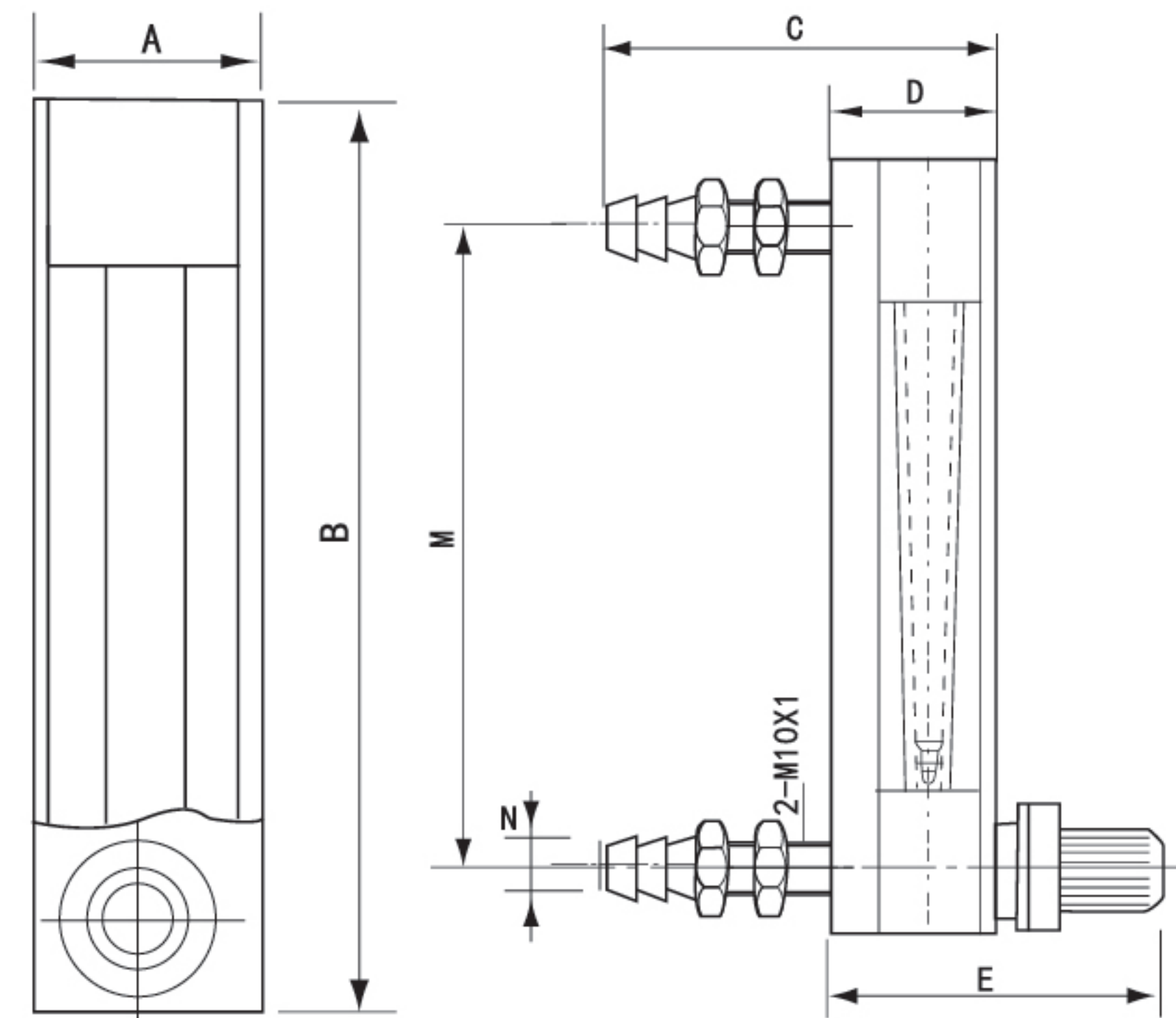


# The Series LZB-WB Glass Rotameter

Compact and widely used in analytical instruments, medical devices, and environmental protection equipment



The Series LZB-WB Glass Rotameter is a variable area flowmeter. Its measuring tube is made of transparent glass. When fluid flows through the tube, the float suspends under the action of hydrodynamic force and its own gravity. The greater the fluid flow rate, the higher the float rises. The flow value can be directly read from the float's position. With excellent chemical compatibility, it becomes a preferred tool for laboratory, food & pharmaceutical, and small-to-medium flow measurement applications. Its lightweight design and easy-to-observe features make it particularly advantageous in scenarios requiring visual operation.

SPECIFICATIONS	
<b>Service</b>	Compatible liquids or gases
<b>Material</b>	The body material is glass
<b>Accuracy</b>	See the technical specification
<b>Temperature Rating</b>	0°C to 60°C
<b>Pressure Rating</b>	≤0.4MPa
<b>Connection</b>	Hose connection

## FEATURES

- Equipped with a flow control valve
- The float rotates only with the fluid flow, featuring no mechanical wear, low maintenance costs, and a long service life. Lightweight and cost-effective
- Provides an economical solution for flow measurement
- Vertical installation without straight pipe sections
- Allows direct observation of fluid status and float position for easy reading

## APPLICATIONS

- Pharmaceutical Industry
- Semiconductor Industry
- Food and Beverage Industry
- Urban Water Supply and Drainage
- Environmental Protection
- New Energy Industry
- Scientific research institution

## Specifications

Model	Measurement Range		Accuracy	Cone Tube Length	Working Conditions		Hose Connector
	Liquid	Gas			Pressure	Temperature	
LZB-2WB	0.4~4ml/min	6~60mL/min	4 6	100	≤0.4MPa	0 ~ +60°C	Ø8
	0.6~6ml/min	10~100mL/min					
	1~10ml/min	16~160mL/min					
	1.6~16ml/min	25~250mL/min					
LZB-3WB	2.5~25ml/min	0.03~0.3L/min	4 6	100			
	6~60ml/min	0.06~0.6L/min					
	10~100ml/min	0.1~1L/min					
LZB-4WB	16~160ml/min	0.6~6L/min	4 6	100			
	25~250ml/min						
LZB-6WB	0.04~0.4L/min	0.7~7L/min	2.5 4	100			
	0.06~0.6L/min	1~10L/min					
LZB-10WB	0.1~1L/min	3~30L/min	2.5 4	120			
	0.16~1.6L/min	5~45L/min					

MODEL CHART					
Example	LZB	-2WB	-0.4ml/min-4ml/min	-L	
<b>Series</b>	The Series LZB-WB				Glass Rotameter
<b>Model</b>		2WB			Please refer to the technical specification, outline dimension
		3WB			Please refer to the technical specification, outline dimension
		4WB			Please refer to the technical specification, outline dimension
		6WB			Please refer to the technical specification, outline dimension
<b>Flow Range</b>			XXXXXXX		Select the range in the technical specification table, e.g., "0.4ml/min-4ml/min"
				A	Gas
<b>Medium</b>				L	Liquid

## Dimensions

Model Mark	Size	A	B	C	D	E	M	N
		Hose Connector						
LZB-2WB	24	136	43	22	<50	116	Ø8	
LZB-3WB	28	136	43	27.5	<52	116	Ø8	
LZB-4WB	28	136	43	27.5	<52	116	Ø8	
LZB-6WB	28	136	43	29.5	<60	116	Ø10	
LZB-10WB	28	160	43	29.5	<60	140	Ø10	